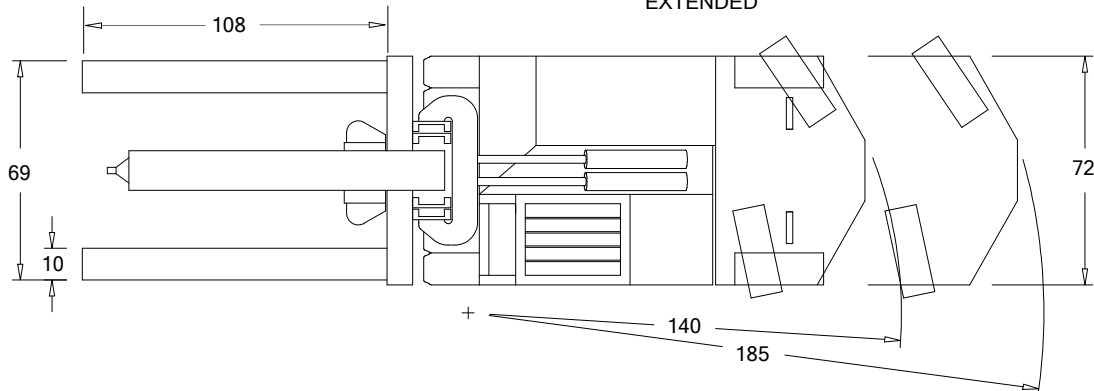
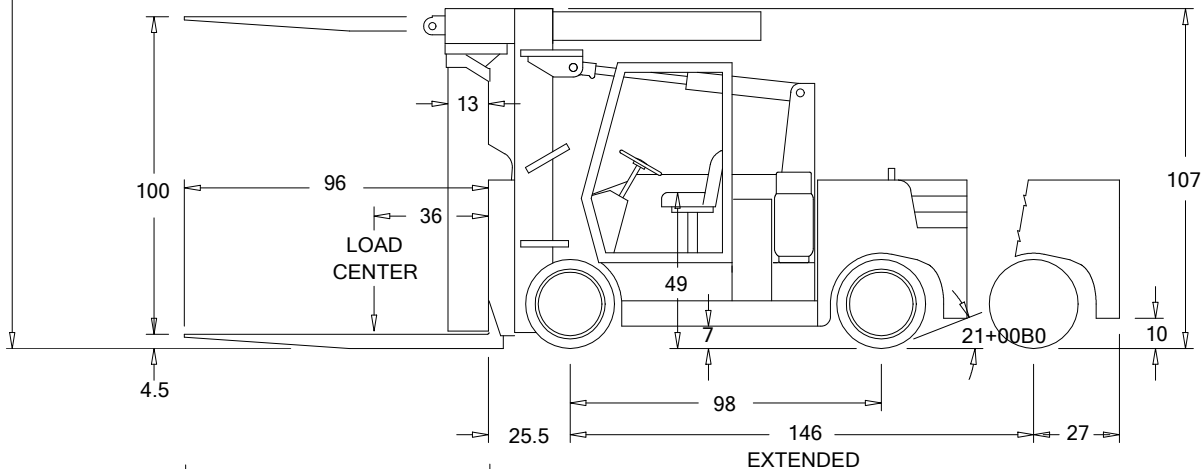
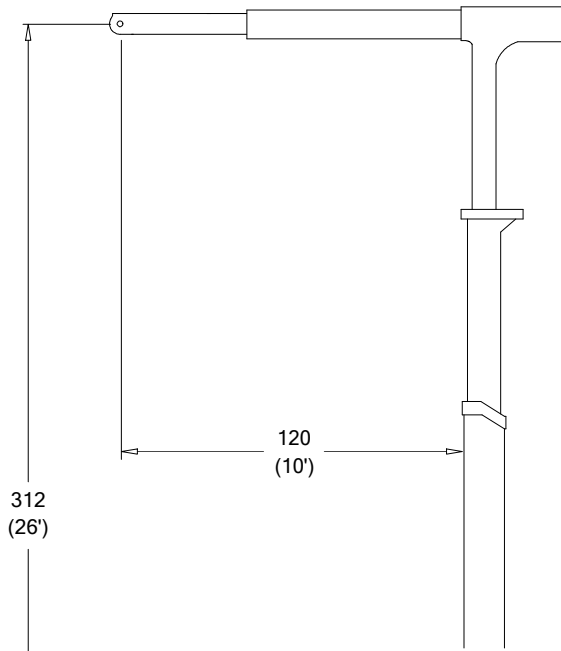


AA & A MACHINERY MOVING



Versa-Lift 40/60

| | |
|----------------|--|
| Drive: | Hydrostatic: 2-Speed |
| Fuel: | LP/Gas |
| Tires: | Front 28 x 10 x 22 Poly Rear 22 x 10 x 22 Poly |
| Grade: | Empty 47% Loaded 20% |
| Tilt: | Forward 12° Back 7° |
| Weight: | Gross: 56,000 lbs. Unit: 32,500 lbs. Counterweight: 15,000 lbs. Boom: 5,500 lbs. Forks: 3,000 lbs. |
| Boom: | Height: 26' (to center of pin) Reach: 10' (to center of pin) |
| Load Capacity: | 60,000 lbs. @ 36" Extended 40,000 lbs. @ 36" Retracted |
| Width: | 72" |
| Wheelbase: | 146" Extended 98" Retracted |
| Forks: | 4.5" x 10" x 108" |



Rent a Versa-Lift 40/60 for Your Next Project
215-428-1100 | AAmachinery.com/Versa-Lift-Rentals

AA MACHINERY MOVING

Versa-Lift 40/60

Slab Weight (lbs.)
3750

Number of Slabs
4

Standard Wheel Base (in.)
98

| | | Lifting Capacity w/ Forks Only (lbs.) | | | | |
|----------------------------------|----|---------------------------------------|--------|--------|--------|--------|
| | | Counterweight Extension (in.) | | | | |
| | | 0 | 12 | 24 | 36 | 48 |
| Load Center From Boom Face (in.) | 36 | 41,600 | 46,300 | 51,000 | 55,600 | 60,300 |
| | 48 | 34,800 | 38,700 | 42,600 | 46,500 | 50,400 |
| | 60 | 30,000 | 33,300 | 36,600 | 40,000 | 43,300 |
| | 72 | 26,300 | 29,200 | 32,100 | 35,100 | 38,000 |
| | 84 | 23,400 | 26,000 | 28,600 | 31,200 | 33,800 |

| | | Lifting Capacity w/ Boom Only (lbs.) | | | | |
|----------------------------------|--------|--------------------------------------|--------|---------|---------|--------|
| | | Counterweight Extension (in.) | | | | |
| | | 0 | 12 | 24 | 36 | 48 |
| Load Center From Boom Face (in.) | 24 | 39,700 | 44,200 | 48,800 | 53,400 | 58,000 |
| | 36 | 33,300 | 37,100 | 41,000 | 44,800 | 48,600 |
| | 48 | 28,700 | 32,000 | 35,300 | 38,600 | 41,900 |
| | 60 | 25,200 | 28,100 | 31,000 | 33,900 | 36,800 |
| | 72 | 22,400 | 25,000 | 27,600 | 30,200 | 32,800 |
| | 78 | 21,300 | 23,700 | 26,200 | 28,600 | 31,100 |
| | 84 | 20,200 | 22,600 | 24,900 | 27,200 | 29,600 |
| | 90 | 19,300 | 21,500 | 23,700 | 26,000 | 28,200 |
| | 96 | 18,400 | 20,600 | 22,700 | 24,800 | 26,900 |
| | 102 | 17,600 | 19,700 | 21,700 | 23,800 | 25,800 |
| | 108 | 16,900 | 18,900 | 20,800 | 22,800 | 24,700 |
| | 114 | 16,300 | 18,100 | 20,000 | 21,900 | 23,800 |
| 120 | 15,600 | 17,400 | 19,200 | 21,000* | 21,000* | |

| | | Lifting Capacity w/ Forks & Boom (lbs.) | | | | |
|----------------------------------|----|---|--------|--------|--------|--------|
| | | Counterweight Extension (in.) | | | | |
| | | 0 | 12 | 24 | 36 | 48 |
| Load Center From Boom Face (in.) | 24 | 38,300 | 42,900 | 47,500 | 52,100 | 56,600 |
| | 36 | 32,200 | 36,000 | 39,800 | 43,700 | 47,500 |
| | 48 | 27,700 | 31,000 | 34,300 | 37,600 | 40,900 |
| | 60 | 24,300 | 27,200 | 30,100 | 33,000 | 35,900 |
| | 72 | 21,700 | 24,300 | 26,900 | 29,400 | 32,000 |

****All load capacities are rated with the mast vertical.**

Other Versa-Lift Models Available: 25/35 & 60/80
215-428-1100 | AAmachinery.com/Versa-Lift-Rentals