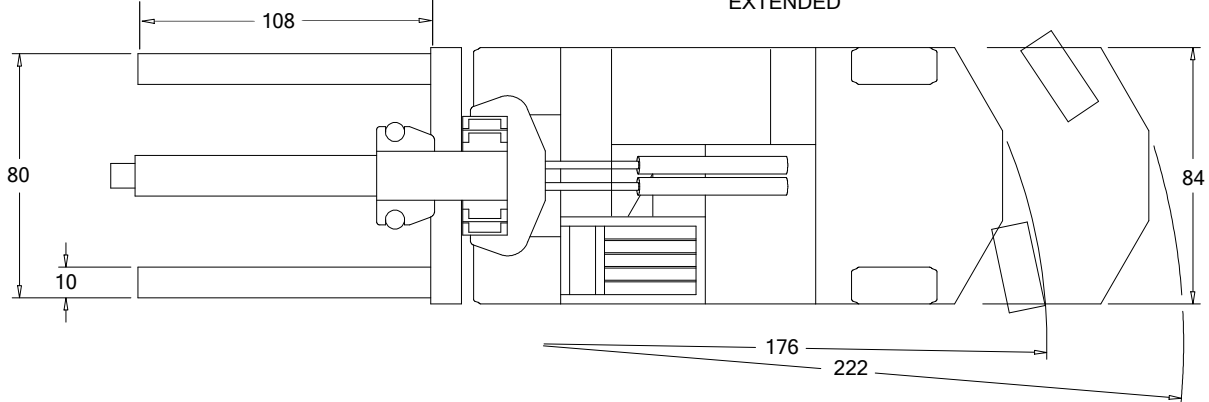
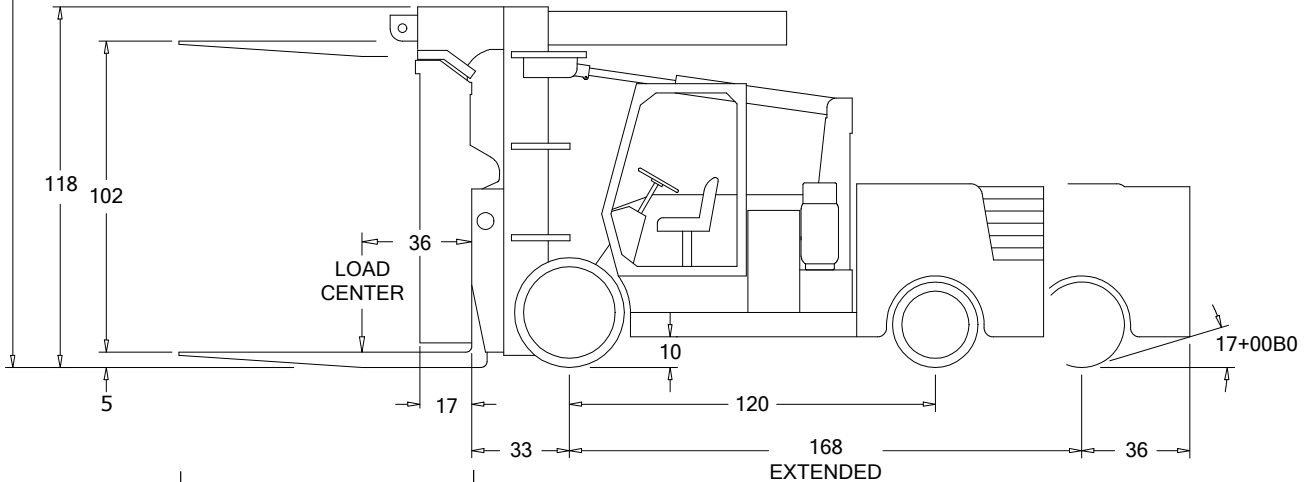
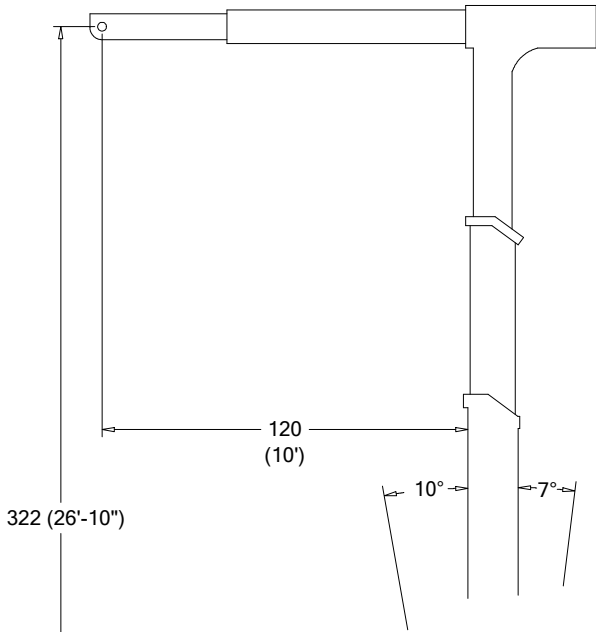
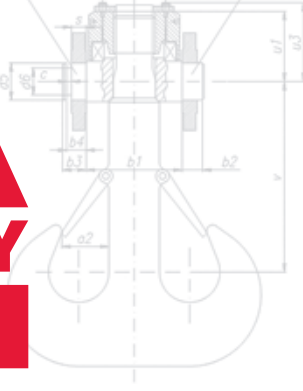


# AA & A MACHINERY MOVING



## Versa-Lift 60/80

Drive: Hydrostatic: 2-Speed  
 Fuel: LP/Gas  
 Tires: Front 36 x 22 Poly  
 Rear 28 x 12 Poly  
 Grade: Empty 44%  
 Loaded 19%  
 Tilt: Forward 10°  
 Back 7°

Weight: Gross: 84,100 lbs.  
 Unit: 41,500 lbs.  
 Counterweight: 30,000 lbs.  
 Boom: 8,600 lbs.  
 Forks: 4,000 lbs.

Boom Reach: Height: 26' 10" (to center of pin)  
 Reach: 10' (to center of pin)

Load Capacity: 100,000 lbs. @ 22" Extended  
 80,000 lbs. @ 36" Extended  
 60,000 lbs. @ 36" Retracted

Width: 84"

Wheelbase: 168" Extended  
 120" Retracted

Forks: 5" x 10" x 108"

**Rent a Versa-Lift 60/80 for Your Next Project**  
**215-428-1100 | [AAmachinery.com/Versa-Lift-Rentals](http://AAmachinery.com/Versa-Lift-Rentals)**

**Slab Weight (lbs.)**                      **Number of Slabs**                      **Standard Wheel Base (in.)**  
 5000    6    120

		Lifting Capacity w/ Forks Only (lbs.)				
		Counterweight Extension (in.)				
		0	12	24	36	48
Load Center From Fork Face (in.)	22	69,407	76,874	84,341	91,807	99,274
	36	55,118	61,047	66,976	72,906	78,835
	48	46,850	51,890	56,930	61,970	67,010
	60	40,739	45,122	49,504	53,887	58,270
	72	36,038	39,915	43,792	47,669	51,546
	84	32,310	35,786	39,262	42,738	46,214

		Lifting Capacity w/ Boom Only (lbs.)				
		Counterweight Extension (in.)				
		0	12	24	36	48
Load Center From Boom Face (in.)	6	64,931	72,262	79,593	86,924	94,255
	24	48,921	54,444	59,967	65,490	71,014
	36	42,014	46,758	51,501	56,245	60,988
	48	36,816	40,973	45,130	49,287	53,443
	60	32,763	36,462	40,161	43,861	47,560
	72	29,514	32,846	36,179	39,511	42,843
	120	21,131	23,517	25,903	28,289	30,675

		Lifting Capacity w/ Forks & Boom (lbs.)				
		Counterweight Extension (in.)				
		0	12	24	36	48
Load Center From Boom Face (in.)	24	46,926	52,449	57,973	63,496	69,019
	36	40,301	45,045	49,788	54,532	59,275
	48	35,315	39,472	43,629	47,786	51,942
	60	31,428	35,127	38,826	42,525	46,224
	72	28,311	31,643	34,975	38,307	41,640
	84	25,756	28,788	31,820	34,851	37,883

**\*\*All load capacities are rated with the mast vertical.**